

**STANDARD DEPARTURE CHART  
RNAV (GNSS) -  
INSTRUMENT (SID)**

TWR 118.6 / 118.25  
APP 120.3  
ACC 133.8

TRANSITION ALTITUDE  
11 000ft

D-ATIS AP ID-WSSS  
128.6

**SINGAPORE/Singapore Changi  
RWY 20R  
TAROS DEPARTURES  
TAROS 1F**

**ELEV, ALT IN FEET**

BEARINGS, TRACKS AND  
RADIALS ARE MAGNETIC  
VAR 0°23'E (2020)

DISTANCES IN NM

**GENERAL INFORMATION**

**INITIAL CLIMB  
3000FT**

**CAUTION: RWY 02R/20L CLOSED UNTIL FURTHER ADVISED**

**NOTE:** RADAR REQUIRED

**NOTE:** RNAV-1 NAVIGATION SPECIFICATION GNSS REQUIRED

**NOTE:** ACFT UNABLE TO FLY THE SID PROFILE  
SHALL INFORM ATC PRIOR TO DEPARTURE AND  
EXPECT RADAR VECTORED IF NECESSARY

**NOTE:** WHEN TAKEN OFF THE SID, AS INSTRUCTED BY ATC,  
REFER TO ENR 1.5, SECTION 3, PARAGRAPH 3.4.2  
- FOR RWY 20R MINIMUM CLIMB GRADIENT

**NOTE:** REFER TO BACK PAGE FOR  
- FORMAL AND TABULAR DESCRIPTIONS  
- RADIO COM FAILURE PROCEDURES

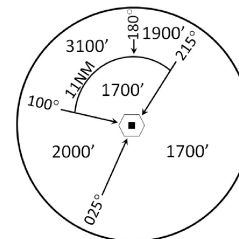
**PROCEDURE INFORMATION**

SID SHALL NOT EXCEED IAS 230KTS UNTIL  
PASSING AA001 AND NOT EXCEED  
IAS 250KTS UNTIL PASSING 10000FT AMSL.

CRUISING LEVELS WILL BE ISSUED AFTER TAKE-OFF  
BY SINGAPORE RADAR.

SID SHALL BE ON A MINIMUM CLIMB GRADIENT OF 6%  
UNTIL REACHING OR PASSING 2500FT, THEREAFTER 3.3%.

GND SPEED - KNOTS	75	100	150	200	250	300
6% V/V (fpm)	456	608	911	1215	1518	1821
3.3% V/V (fpm)	251	334	501	668	835	1003



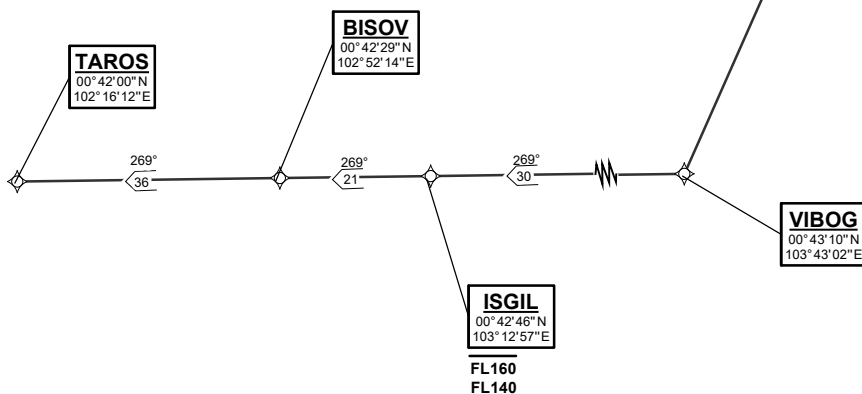
**TEKONG**  
DVOR/DME 116.5  
VTK  
01° 24' 55"N  
104° 01' 20" E  
60m

**DER (RWY 20R)**  
01° 20' 47.00"N  
103° 58' 35.00"E

**LEDOX**  
01° 16' 42"N  
103° 56' 51"E  
**A015**

**LETGO**  
01° 14' 11"N  
103° 55' 48"E  
**A025**

**SAMKO**  
01° 05' 30"N  
103° 52' 55"E  
**A040**



NOT TO SCALE