

STANDARD ARRIVAL CHART
RNAV (GNSS) -
INSTRUMENT (STAR)

ACC 134.2
 APP 124.05 / 120.3
 ARR 119.3
 TWR 118.6 / 118.25

TRANSITION ALTITUDE
 11 000ft

D-ATIS AP ID-WSSS
 128.6

SINGAPORE/Singapore Changi
RWY 02L/C
KARTO ONE ALPHA ARRIVAL
KARTO 1A

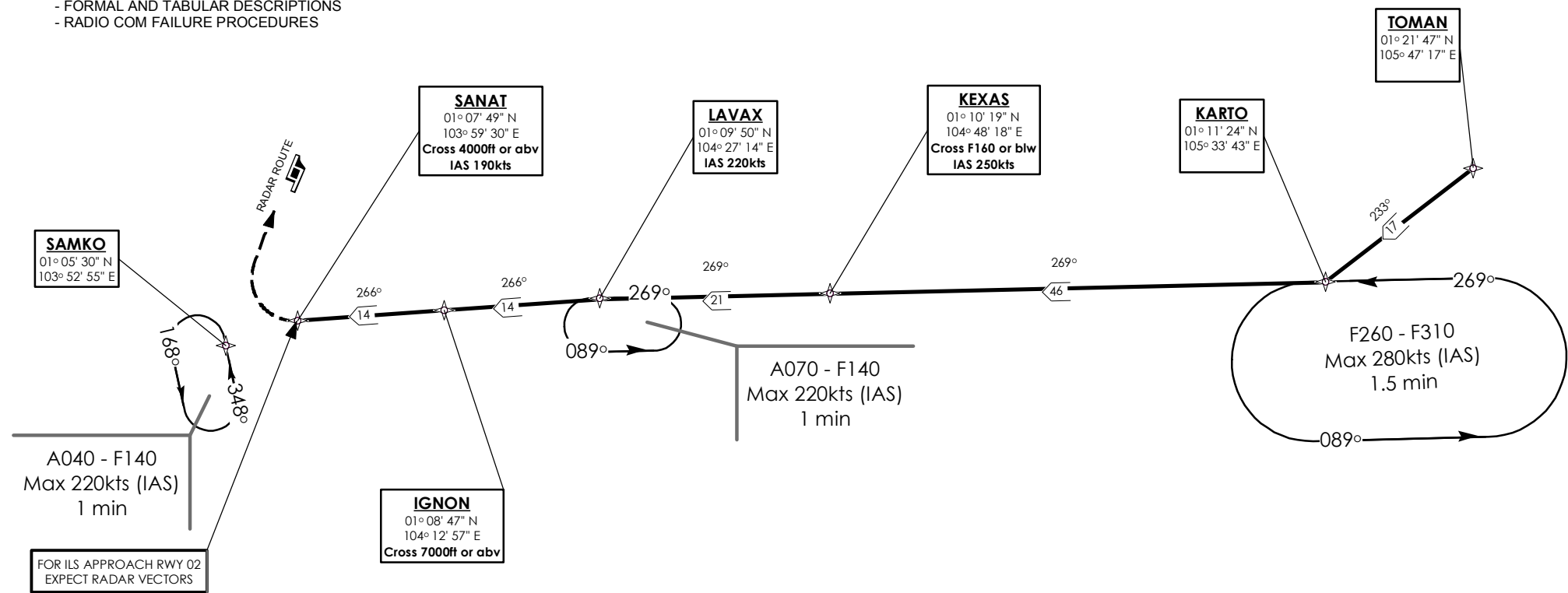
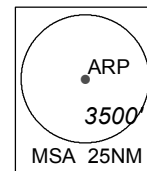
ELEV, ALT IN FEET
 BEARINGS, TRACKS AND
 RADIALS ARE MAGNETIC
 VAR 26°E (2015)

DISTANCES IN NM

NOTE: RADAR REQUIRED

NOTE: RNAV-1 NAVIGATION SPECIFICATION GNSS REQUIRED

NOTE: REFER TO BACK PAGE FOR
 - FORMAL AND TABULAR DESCRIPTIONS
 - RADIO COM FAILURE PROCEDURES



NOT TO SCALE

KARTO 1A (STAR) RNAV GNSS RWY 02L/02C - DESCRIPTIONS

Formal & Abbreviated Descriptions

Formal Description	Abbreviated Description	Path Terminator	Fly-Over required
From TOMAN. To KARTO, turn right. To KEXAS at or below FL160, speed 250kts. To LAVAX, speed 220kts, turn left. To IGNON at or above 7000ft. To SANAT at or above 4000ft, speed 190kts.	TOMAN -	IF	N
	KARTO [R] -	TF	N
	KEXAS [FL160-; K250] -	TF	N
	LAVAX [K220; L] -	TF	N
	IGNON [A070+] -	TF	N
	SANAT [A040+; K190]	TF	N

Tabular Descriptions

Path Term	Waypoint Name	Fly-Over	Course °M(°T)	Magnetic Variation	Turn Direction	Altitude	Speed Limit	Navigation Spec
IF	TOMAN	-	-	-0.5	-	-	-	RNAV1
TF	KARTO	-	233(233.5)	-0.5	R	-	-	RNAV1
TF	KEXAS	-	269(269.5)	-0.5	-	FL160-	K250	RNAV1
TF	LAVAX	-	269(269.5)	-0.5	L	-	K220	RNAV1
TF	IGNON	-	266(266.5)	-0.5	-	A070+	-	RNAV1
TF	SANAT	-	266(266.5)	-0.5	-	A040+	K190	RNAV1

RADIO COMMUNICATIONS FAILURE PROCEDURE

1	SET TRANSPONDER TO MODE A/C CODE 7600
2	<p>When cleared via KARTO 1A by Singapore ATC</p> <p>(a) Maintain last assigned flight level or altitude and proceed on KARTO 1A to SANAT, then direct to SAMKO</p> <p>(b) From SAMKO commence descent and carry out appropriate landing procedure for RWY 02 as close as possible to EAT or ETA</p> <p>(c) If unable to effect a landing, refer to Singapore AIP for missed approach procedure</p>
3	<p>No clearance or instruction received from Singapore ATC</p> <p>- Refer to Singapore AIP for radio communications failure procedure</p>